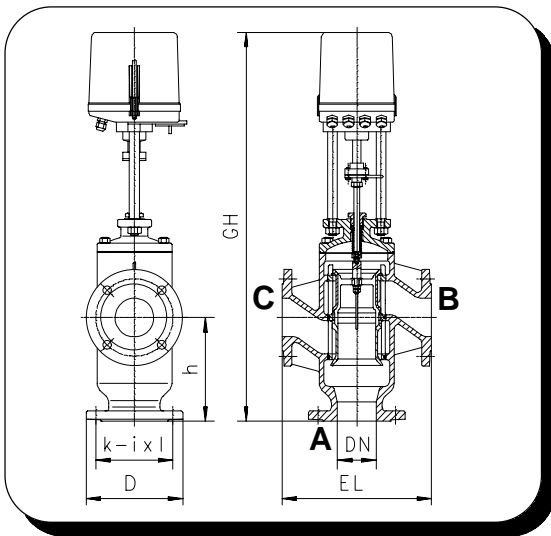




**AKO Motorized Control Valve**  
**Type Series 255.2309**

deliverable nominal sizes: 50, 65, 80, 100, 125, 150 mm



**Technical Data**

**Control Valve**

Three-Way-Valve double seat pressure relieved  
 Characteristic linear

Material:

- body cast-iron GG 25  
 - Inner Parts bronze  
 Valve Spindle Sealing glandless sealing by means of a metal bellow

adm. Operation Temperature 150 °C

adm. Differential Pressure 16 bar

Nominal Pressure PN 16

Connection Flange DIN 2533 E

**Motorized Actuator** 262.5112-032

Actuating Force 280 kp

Actuating Speed 0,26 mm/s

Motor stop-motor without after-running

Ambient Temperature -20...+70 °C

Hand-Wheel Transmission 1,4 U/mm

Motor Current 0,04 A, 230 V, 50 - 60 Hz

Motor Output 11 VA

Enclosure Class IP 65

Final Position Switching off 2 stroke-dependent and adjustable position switches  
 2 power switches  
 dependence of stroke

Cable Entry 4 x PG 11

**Divider**

A = common entrance  
 B = outlet (by-pass)  
 C = outlet (cooler)

**Mixing Valve**

common outlet  
 inlet (by-pass)  
 inlet (cooler)

The paths have been marked on the connections.  
 The control valve may be installed in all positions, but the installation position where the actuator shows in the top position is preferable.

**see also:**

actuators data sheets 262.xxxx-xxx  
 electronic self-optimising controller data sheets 267.xxxx-xxx  
 measuring probe for temperature data sheets 234.xxxx-xxx  
 pressure data sheets 241.xxxx-xxx

**additional equipment:**

2 additional limit switches adjustable to the dependence of stroke  
 potentiometer as position acknowledgement 100/200/1000 Ohm  
 stroke transmitter 4522, 0 (4) ... 20 mA  
 heating resistance 230 V, 50 Hz, 7 W

Best.-Nr.	DN mm	EL mm	GH mm	h mm	D mm	K mm	L mm	KVs	Δp	Hub mm	Gewicht kg
255.2309-032	32	180	630	140	140	100	4x18	15	16	4,0	28
255.2309-040	40	200	650	162	150	110	4x18	25	16	5,0	30
255.2309-050	50	230	650	162	165	125	4x18	42	16	6,0	35
255.2309-065	65	290	660	165	185	145	4x18	70	16	8,0	42
255.2309-080	80	310	740	215	200	160	8x18	100	16	10,0	58
255.2309-100	100	350	785	240	220	180	8x18	160	16	12,5	70
255.2309-125	125	400	875	260	250	210	8x18	245	16	16,0	82
255.2309-150	150	480	940	286	285	240	8x22	330	16	18,0	95