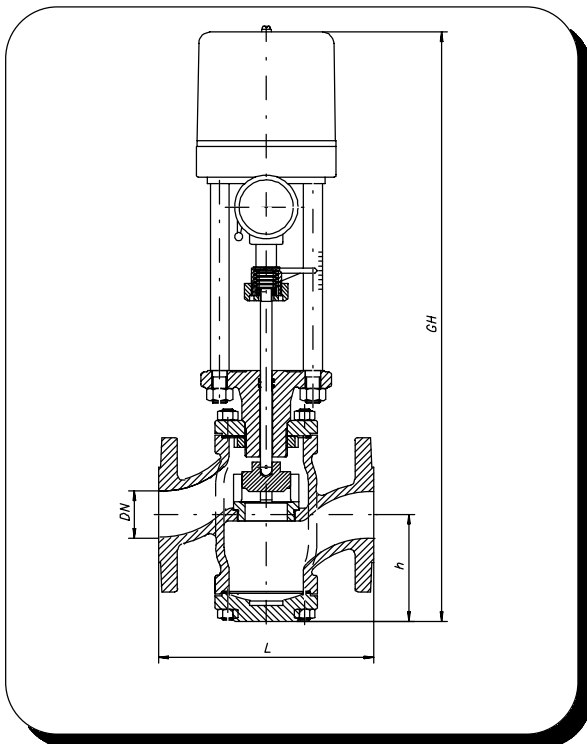




AKO Motorized Control Valve
Type Series 255.0530

available nominal size: 15, 20, 25, 32, 40, 50, 65, 80, 100 mm



Technical Data

Control Valve

Single Seat Valve
 Characteristic

2-Way-Valve
 linear

Materials:

- body
 - inner parts
 valve spindle sealing

cast iron GG 25
 stainless steel 1.4571
 glandless sealing by means
 of stainless steel bellow

adm. working temperature

230 °C(see DIN 2401!)

adm. differential pressur

16 bar

nominal pressure

PN 16

Connections

flange DIN 2533 Form E

Actuator

operation force 200 kp

262.5102-xxx (Standard)

operation force 600 kp

262.5113-xxx

operation force 1000 kp

262.5114-xxx

(see our special data-sheets)

motor

stall-proof single phase motr

230 V, 60/60 Hz

enviroment temperature

-20...+60 °C

enclosure class

IP 55

limit-swichtes

2 stroke dependent adjustable

see also:

actuator data-sheet 262.xxxx-xxx
 self optimizing controller data-sheet 267.xxxx-xxx
 sensor for temperature data-sheet 234.xxxx-xxx

pressure data-sheet 241.xxxx-xxx

Accessories:

2 additional stroke dependent adjustable limit switches
 Potentiometer as position indicator 100/200/1000 Ohm
 inductiv transmitter 4522, output 0 (4) ... 20 mA

| order-no. | DN mm | h mm | L mm | GH mm | KV _s | Δ p adm. | Y _h stroke | weight kg |
|--------------|-------|------|------|-------|-----------------|----------|-----------------------|-----------|
| 255.0530-015 | 15 | 35 | 130 | 385 | 3 | 16 | 4 | 22 |
| 255.0530-020 | 20 | 35 | 150 | 385 | 5 | 16 | 5 | 22 |
| | | | | | | | | |
| | | | | | | | | |
| | | | | | | | | |
| | | | | | | | | |
| | | | | | | | | |
| 255.0530-100 | 100 | 280 | 350 | 525 | 120 | 2 | 16 | 69 |