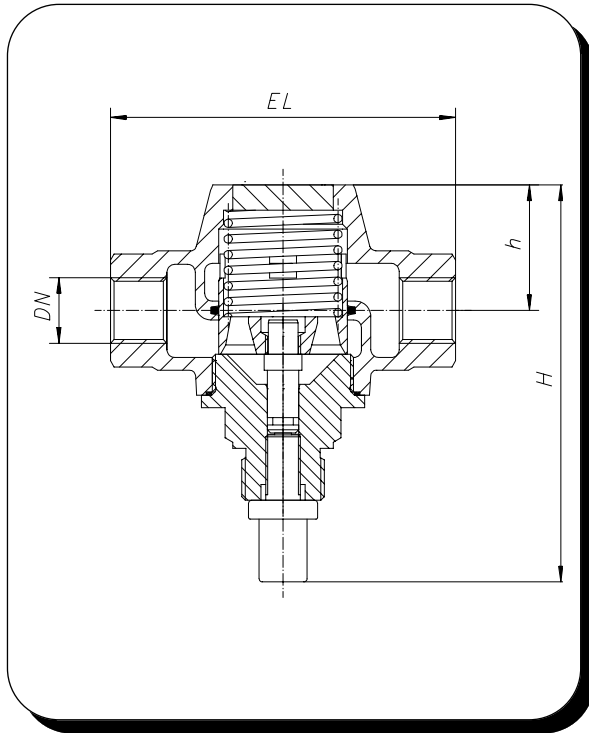


**AKO Two-Way Temperature Regulator**  
**Type Series 220.0601 with external wax-thermostat**  
 deliverable size: G 1/2", 3/4", 1", 1 1/4" female



**Technical Data:**

material:  
 - valve body bronze G-CuSnBz 5  
 - innerparts bronze G-CuSnBz 5  
 with wax-element 237.0600-XXX (temp.)  
 working temperature up to 120 °C  
 working pressure up to 25 bar  
 adm. differential pressure up to 25 bar  
 nominal pressure PN 25

**deliverable temperature ranges:**

04 - 11 °C	39 - 49 °C	60 - 71 °C	93 - 101 °C
22 - 30 °C	43 - 54 °C	68 - 77 °C	97 - 107 °C
29 - 40 °C	49 - 60 °C	76 - 88 °C	101 - 121 °C
35 - 46 °C	54 - 65 °C	82 - 93 °C	

**Functioning**

The control of the regulating valve is effected through the change in volume of the expansion liquid of the heat sensor under temperature influence. The valve opens with increasing temperature proportionally to the heat ballast taken up by the heat sensor.

**Application**

Temperature regulation within pyrometric plants and cooling plants. Usable for liquids, steam and nonburnable gases. For special applications or special mediums we kindly ask you to let us have your inquiries.

order-no..	DN	EL	H	h	stroke	KVs	Q m3/h	weight kg
220.0601-050 (L, M, N)	G 1/2 "	110	127	40	6	4,3	2,0	1,6
220.0601-075 (L, M, N)	G 3/4 "	110	127	40	6	7,3	3,5	1,5
220.0601-100 (L, M, N)	G 1 "	115	132	45	6	11,0	5,5	2,1
220.0601-125 (L, M, N)	G 1 1/4 "	115	132	45	6	15,0	10,0	1,9